

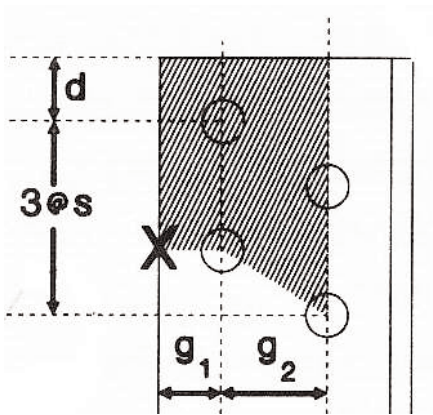
ERRATA

An Experimental Study of Block Shear Failure of Angles in Tension

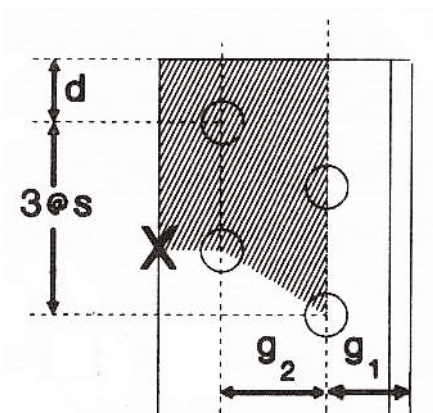
Paper by HOWARD I. EPSTEIN
(Second Quarter 1992)

Errata by HOWARD I. EPSTEIN

Figure 1 in this paper showed, in part:



The paper states that standard gage lines were used for the angles and g_1 and g_2 are given in the paper for the 5-in. and 6-in. connected legs. This figure incorrectly showed the gages. The correct labeling should have been:



This error was brought to light by the discussion of the paper "AISC Rules for Block Shear—A Review" by Geoffrey L. Kulak and Gilbert Y. Grondin. It should be noted that the numbers shown in the 1992 paper are correct and are based on the gages shown in the corrected figure and on the governing block shear equations at the time of publication. The LRFD block shear equations have gone through two revisions since that publication.